

Do not turn over or open this booklet until told to do so

CEA

Common Entrance Assessment

Paper 2

Saturday 27 November 2010

Time: 1 Hour

Please fill in the following from your admission card:

Your Candidate Number _____

Your Assessment Centre _____

Your Date of Birth _____

Answer all 58 questions in this booklet

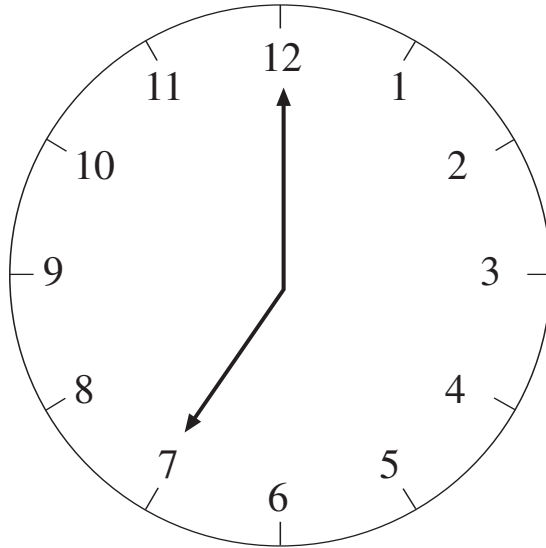
NOT TO BE FILLED IN BY THE PUPIL				
MATHEMATICS				
Page	Marks	Score	Check	
1	(4)			
2	(4)			
6	(4)			
7	(2)			
8	(2)			
12	(3)			
13	(4)			
14	(1)			
18	(2)			
19	(3)			
20	(3)			
TOTAL 32				

NOT TO BE FILLED IN BY THE PUPIL				
ENGLISH				
Page	Marks	Score	Check	
4	(5)			
5	(4)			
9	(1)			
10	(3)			
11	(1)			
15	(3)			
16	(3)			
17	(3)			
21	(1)			
22	(5)			
23	(3)			
TOTAL 32				
TOTAL SCORE				

5. Look at Pattern 3 in question 3. In **Pattern 3** what **percentage** of the **pattern** is **shaded**? Write your answer in the space below.

_____ %

6. Look at the clock face below.



The hands of the clock show that the time is **7 o'clock**. What is the value of the **obtuse angle between the hands** of the clock? Write your answer in the space below.

_____ °

7. A film on TV lasts for **100 minutes**. It **finishes** at **0015**. At what time did the film **start**? Write your answer, **as a 24 hour clock time**, in the space below.

8. Mark makes a sequence using this rule:

Take half of the previous number and then add one

Using this rule, write the **2 missing numbers** in Mark's sequence below. Write your answers in the spaces provided.

_____, 386, 194, _____, 50, 26

Do not write
in this column

Do not write
in this column

Poem 1 and questions 9 to 15 here

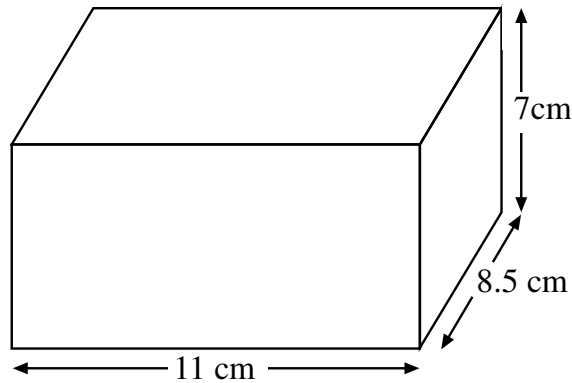
Do not write
in this column

Poem 1 and questions 9 to 15 here

Do not write
in this column

Poem 1 and questions 9 to 15 here

16. The **cuboid** below is **11 cm** by **8.5 cm** by **7 cm**.



How many **edges** does the cuboid have? Write your answer in the space below.

17. What is the **area** of the **largest face** of the cuboid? Write your answer in the space below.

_____ cm^2

18. What is the **volume** of the cuboid? Write your answer in the space below.

_____ cm^3

-
19. **How many quarter-litre** glasses can be **filled** from a container which holds **12.5 litres** of fruit juice? Write your answer in the space below.

Do not write
in this column

The passage you are about to read contains five errors. Read the passage and then answer the questions that follow it.

Do not write
in this column

Text Messaging

SMS language, also known as textspeak, is a term for the abbreviations and slang most commonly used in mobile phone text messaging, though its use is common on the Internet, including e-mail and instant messaging. (line 1)
 This language for sending and receiving text messages is becoming more common, Many people still claim not to understand a word that's being written. (line 2)
 Websites are now providing text translators for confused parents, as the older generation tries to keep up with today's technologically advanced youth. (line 3)
 Many parents are worried about their children's poor literacy as a result of hours spent in front of a computer or communicating via text on mobiles. (line 4)
 Scottish examinations were criticised recently for accepting answers given in text message language, provided they were correct and showed understanding. (line 5)
 What is the world coming to. There must be an effort made, on the part of educators and parents alike, to encourage children in their use of standard English. (line 6)
 (line 7)
 (line 8)
 (line 9)
 (line 10)
 (line 11)
 (line 12)
 (line 13)
 (line 14)
 (line 15)
 (line 16)
 (line 17)
 (line 18)
 (line 19)

24. Each line is numbered. There is an apostrophe missing from one of the words in the passage. Tick the number of the line containing the word with the missing apostrophe.

line 3

line 7

line 9

line 14

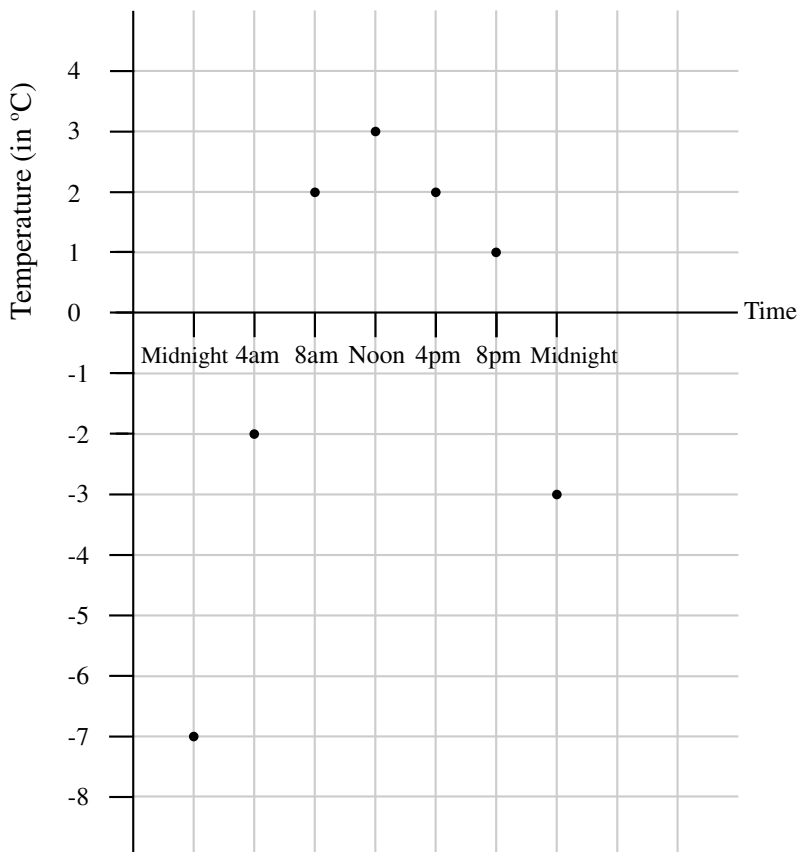
29. An athlete takes **9 minutes** to run **3000 metres** at a **steady speed**.
How long would she take to run **1 kilometre** at the **same steady speed**?
 Write your answer in the space below.

_____ minutes

30. Roseagh is a member of a gym. It costs her **£19.50** each **month**.
 How much in **total** does she pay to the gym in **1 year**? Write your
 answer in the space below.

£ _____

31. The temperature at an airport is recorded every 4 hours for a 24 hour
 period. The results are shown on the graph below.



What is the **difference** between the **highest** and **lowest temperature** recorded? Write your answer in the space below.

_____ °C

Do not write
in this column

32. William thinks of 2 **consecutive** numbers. When he **adds** the numbers he gets **19**. When he **multiplies** the numbers he gets **90**. What are the two numbers William thinks of? Write your answers in the spaces below.

33. Barra went on holiday last summer. He spent **35 minutes** getting to the airport from his **home**. He then spent **1 hour** at the airport before his flight. The flight lasted for **2½ hours**. Barra was at his holiday hotel **50 minutes** after landing at the airport. **How long** did it take him in **total** to get from his **home** to his **hotel**? Write your answer in the spaces below.

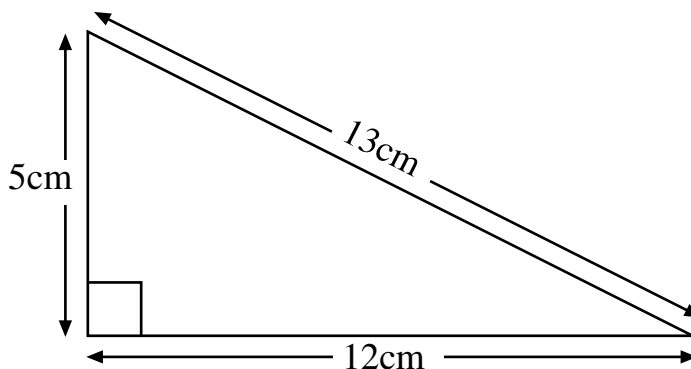
_____ hours _____ minutes

34. Use the information in the **first** statement below to **complete** the **other** statement. Write your answer in the space below.

$$\frac{1}{5} \text{ of } c = 8$$

$$50\% \text{ of } c = \underline{\hspace{2cm}}$$

35. Look at the **right-angled triangle** below.



Find the **perimeter** of the triangle. Write your answer in the space below.

_____ cm

Find the **area** of the triangle. Write your answer in the space below.

_____ cm²

Do not write
in this column

Do not write
in this column

Poem 2 and questions 37 to 43 here

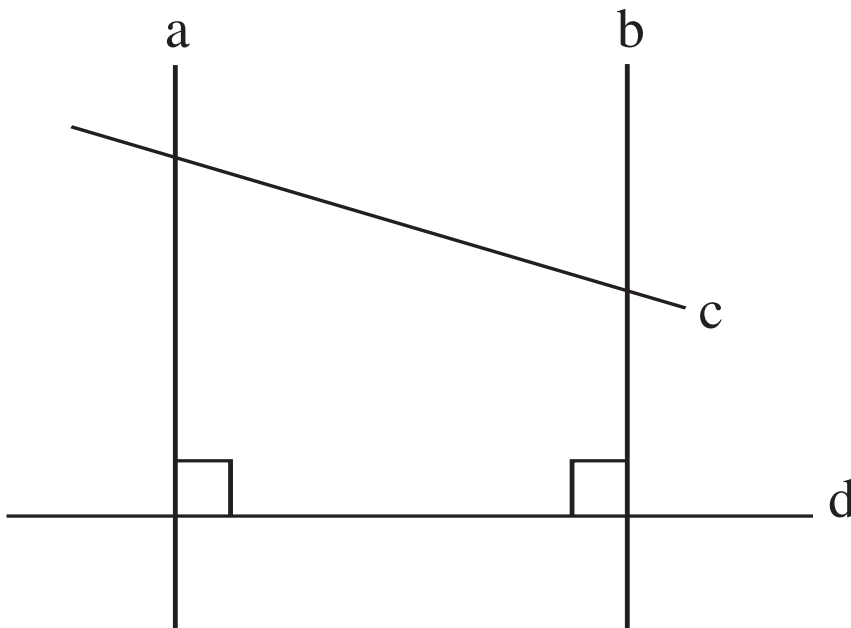
Do not write
in this column

Poem 2 and questions 37 to 43 here

Do not write
in this column

Poem 2 and questions 37 to 43 here

44. The figure below shows 4 lines **a**, **b**, **c**, and **d**.



Tick each of the statements below **true** or **false**.

	True	False
Line a is parallel to line b	<input type="checkbox"/>	<input type="checkbox"/>
Line c is parallel to line d	<input type="checkbox"/>	<input type="checkbox"/>
Line a is perpendicular to line c	<input type="checkbox"/>	<input type="checkbox"/>
Line a is perpendicular to line d	<input type="checkbox"/>	<input type="checkbox"/>

45. A **square number** can be added to a **prime number** to make **39**.
There are **two ways** of doing this. **One of the ways** is given below:

$$36 + 3 = 39$$

What **other** square number can be added to a prime number to give 39?
Write your answer in the boxes below.

$$\boxed{} + \boxed{} = 39$$

Do not write
in this column

49. Look at the 4 numbers below.

0.11977 1.1977 11.977 119.77

The answer to the **calculation below** is one of these 4 numbers.
Write the correct number in the space below.

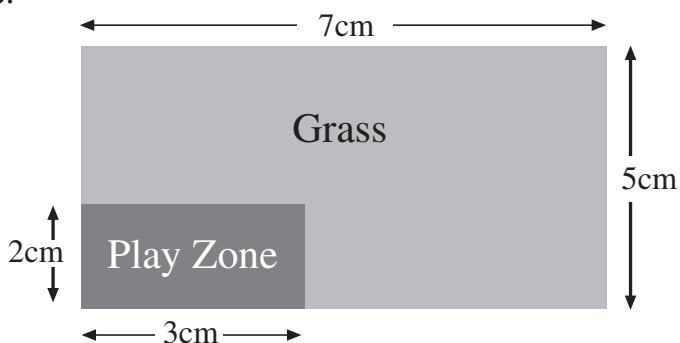
$1197.7 \div 100 = \underline{\hspace{2cm}}$

50. A piece of glass is **one millimetre thick**.

Look at the 4 statements below. **One** of these statements is **correct**.
Tick the correct statement.

- The thickness of the glass is **one tenth of a metre**
- The thickness of the glass is **one hundredth of a metre**
- The thickness of the glass is **one tenth of a centimetre**
- The thickness of the glass is **one hundredth of a centimetre**

51. Look at the **plan** of a garden below. In one corner of the garden is a children's "**play zone**". The garden and the play zone are both **rectangular**. The ground in the play zone is made of soft plastic material. The part of the garden **outside the play zone** is covered with **grass**.



On the plan: **1 centimetre represents 3 metres**.

(a) Find the **area** of the play zone **on the plan**. Write your answer in the space below.

$\underline{\hspace{2cm}} \text{ cm}^2$

(b) Find the **actual perimeter** of the **part** of the garden which is **covered with grass**. Write your answer in the space below.

$\underline{\hspace{2cm}} \text{ metres}$

Do not write
in this column

Do not write
in this column

Extract from novel and questions 52 to 58 here

Do not write
in this column

Extract from novel and questions 52 to 58 here

Do not write
in this column

Extract from novel and questions 52 to 58 here

THIS IS A BLANK PAGE

THIS IS A BLANK PAGE

THIS IS A BLANK PAGE

Association for Quality Education Limited

THESE TESTS ARE COPYRIGHT AND CONFIDENTIAL